

Lindab **Sliding dampers** SKMTR, SKPTR

Assembly instructions

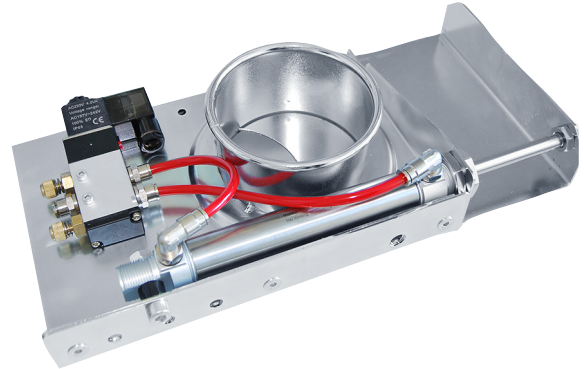
Sliding dampers

SKMTR, SKPTR

SKMTR



SKPTR



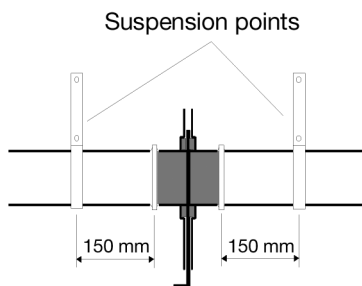
Assembly

Install the damper as per instructions for straps or flanges.

Check that the space before/beyond the damper allows the damper blade to be fully opened.

When installing SKPTR with automatic opening and closing function, the risk of personal injury must be considered. The damper must therefore be installed outside any possible contact zone, for example min. 2.1 m above the floor.

Connecting conduits must be suspended so that the damper is not exposed to destructive forces. These can cause the damper to jam or stick.



Example of horizontal installation.

Sliding dampers

SKMTR, SKPTR

Electrical connection

Standard power supply is 230V AC and can be specially ordered to 24 V DC or 24 V AC

Power on will open the damper blade and power off will close the damper blade .

There is a manual open and close button on the valve to be used when you test without electrical power.

Commissioning

Check that the damper blade moves easily (must be performed after mechanical installation).

Check that the damper opens and closes as per projected function.

Maintenance

The damper is maintenance free. If necessary, cleaning can carefully be performed.

Spare parts

When ordering spare parts, state damper designation and size. See product plate on damper.

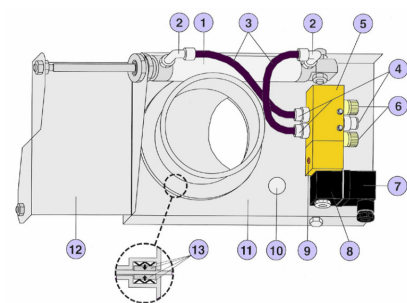
Troubleshooting

Damper blade jams or sticks.

1. The damper needs to be cleaned
2. Breaking forces are affecting the pipe system
3. The blade is damaged
4. Sealing is loose

Structure of the automatic damper

1. Pneumatic cylinder
2. Rotating angel connection 1/8" – 6 mm hose
3. Hose 6 mm
4. Connection 1/8" – 6 mm hose
5. Magnetic valve
6. Silencer/adjustment
7. Cable terminal
8. Coil 230V AC or 24V AC/DC (other voltages available on request)
9. Screw for manual operation of Solenoid valve
10. Opening
11. Damper housing
12. Damper blades
13. Sealings



FM design with damper blade protection (SPZZ)



Most of us spend the majority of our time indoors. Indoor climate is crucial to how we feel, how productive we are and if we stay healthy.

We at Lindab have therefore made it our most important objective to contribute to an indoor climate that improves people's lives. We do this by developing energy-efficient ventilation solutions and durable building products. We also aim to contribute to a better climate for our planet by working in a way that is sustainable for both people and the environment.

[Lindab | For a better climate](#)