

Motorized shut-off damper

DTBU



Description

Shut-off damper with electric motor.

Consists of a DTU damper with a 24 or 230 V electric motor added. Ø900 and 1000 has two motors.

The motor is controlled by a single-pole breaking contact. The motor has overload protection and stops automatically when the blade has reached its end stop. The stop can be continually adjusted. Although the current is connected, the motor is not damaged if blocked.

The spindle and motor can be disconnected from each other via a release button on the motor housing.

In outdoor installation, the motor should be protected from direct UV radiation.

The motor is installed at a distance from the damper, which makes it easy to insulate the ventilation duct.

There is a separate assembly, measuring, balancing and maintenance instruction for this product.

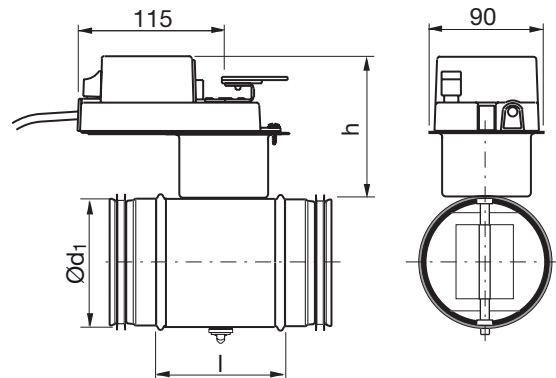
...

Ordering example

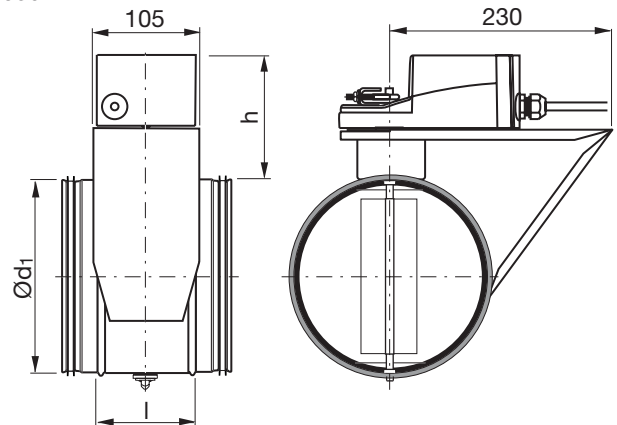
	DTBU	315	24	LM
Product				
Dimension Ød ₁				
Voltage				
Motor type				

Dimensions

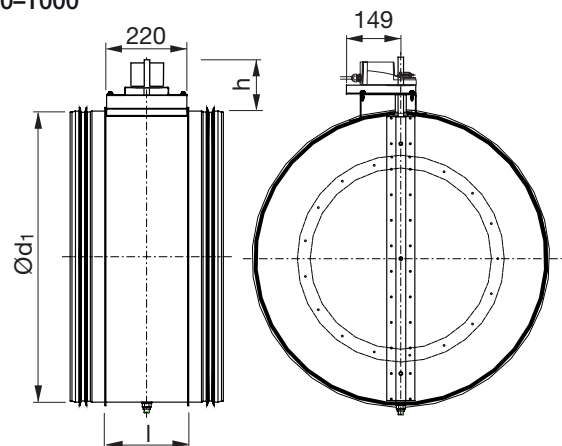
Ø80-500



Ø630



Ø710-1000



Motorized shut-off damper

DTBU

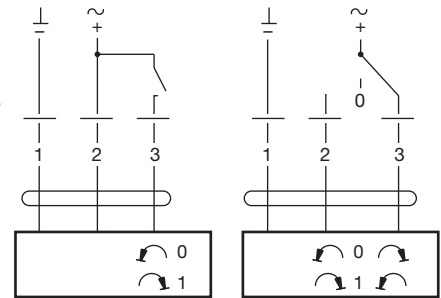
Dimensions

Ød ₁ nom	l [mm]	h [mm]	m [kg]	Motor type	Sealing class past closed blade	Pressure class in closed posi- tion
80	100	107	1,00	LM	4	C
100	100	107	1,08	LM	4	C
125	100	107	1,23	LM	4	C
160	100	107	1,44	LM	4	C
200	100	107	1,74	LM	4	C
250	100	107	2,22	LM	4	C
315	100	107	2,84	LM	4	C
400	100	105	4,59	NM	4	B
500	115	105	7,29	NM	4	B
630	115	120	10,5	SM	4	B
710	230	140	19,5	GM	4	A
800	230	140	22,4	GM	4	A
900	230	193	29,5	GM (2×)	4	A
1000	230	193	36,0	GM (2×)	4	A

Technical data for the motors

LM motor

	LM 24 A-F	LM 230 A-F
Power supply	AC 19,2–28,8 V, 50/60 Hz DC 19,2–28,8 V	AC 65–265 V, 50/60 Hz
Power consumption	1 W	1,5 W
For wire sizing	2 VA	4 VA
Connection	Cable 1 m, 3×0,75 mm ²	Cable 1 m, 3×0,75 mm ²
Operating angle	Max. 95°, adjustable 0–100%	Max. 95°, adjustable 0–100%
Torque at rated voltage	Min. 5 Nm	Min. 5 Nm
Direction of rotation	Switch selectable 0 ↺ or 1 ↻	Switch selectable 0 ↺ or 1 ↻
Position indication	Mechanical	Mechanical
Running time for 95°	150 s	150 s
Sound power level	Max. 35 dB (A)	Max. 35 dB (A)
Protection class	III Safety extra-low voltage	II Safety insulated
Protection type	IP 54	IP 54
Ambient temperature range	-30 to +50°C	-30 to +50°C
Ambient moisture	95 % RH	95 % RH

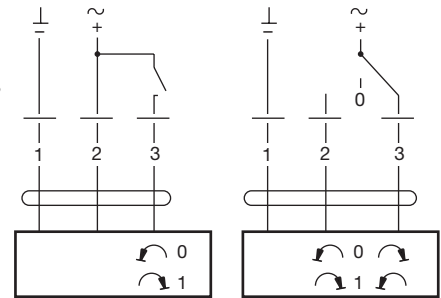


Motorized shut-off damper

DTBU

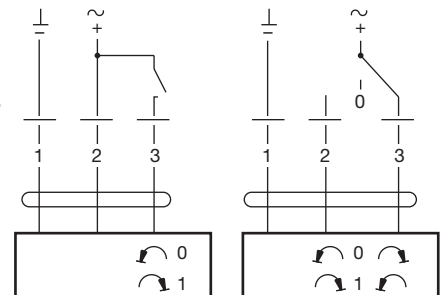
NM motor

	NM 24 A-F	NM 230 A-F
Power supply	AC 19,2–28,8 V, 50/60 Hz DC 19,2–28,8 V	AC 85–265 V, 50/60 Hz
Power consumption	1,5 W	2,5 W
For wire sizing	3,5 VA	6 VA
Connection	Cable 1 m, 3x0,75 mm ²	Cable 1 m, 3x0,75 mm ²
Operating angle	Max. 95°, adjustable 0–100%	Max. 95°, adjustable 0–100%
Torque at rated voltage	Min. 10 Nm	Min. 10 Nm
Direction of rotation	Switch selectable 0 ↺ or 1 ↻	Switch selectable 0 ↺ or 1 ↻
Position indication.....	Mechanical	Mechanical
Running time for 95°	150 s	150 s
Sound power level.....	Max. 35 dB (A)	Max. 35 dB (A)
Protection class	III Safety extra-low voltage	II Safety insulated
Protection type.....	IP 54	IP 54
Ambient temperature range.....	-30 to +50°C	-30 to +50°C
Ambient moisture.....	95 % RH	95 % RH



SM motor

	SM 24 A	SM 230 A
Power supply	AC 19,2–28,8 V, 50/60 Hz DC 19,2–28,8 V	AC 85–265 V, 50/60 Hz
Power consumption	2 W	2,5 W
For wire sizing	4 VA	6 VA
Connection	Cable 1 m, 3x0,75 mm ²	Cable 1 m, 3x0,75 mm ²
Operating angle	Max. 95°, adjustable 0–100%	Max. 95°, adjustable 0–100%
Torque at rated voltage.....	Min. 20 Nm	Min. 20 Nm
Direction of rotation.....	Switch selectable 0 ↺ or 1 ↻	Switch selectable 0 ↺ or 1 ↻
Position indication.....	Mechanical	Mechanical
Running time for 95°	150 s	150 s
Sound power level	Max. 35 dB (A)	Max. 35 dB (A)
Protection class	III Safety extra-low voltage	II Safety insulated
Protection type.....	IP 54	IP 54
Ambient temperature range.....	-30 to +50°C	-30 to +50°C
Ambient moisture.....	95 % RH	95 % RH

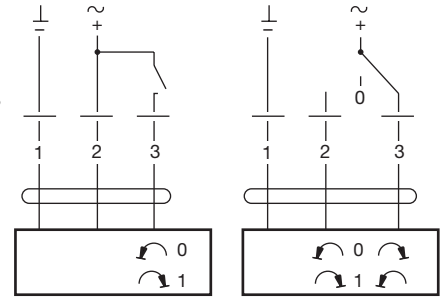


Motorized shut-off damper

DTBU

GM motor

	GM 24 A	GM 230 A
Power supply	AC 19,2–28,8 V, 50/60 Hz DC 19,2–28,8 V	AC 85–265 V, 50/60 Hz
Power consumption	4,5 W	4,5 W
For wire sizing	7 VA	7 VA
Connection	Cable 1 m, 3x0,75 mm ²	Cable 1 m, 3x0,75 mm ²
Operating angle	Max. 95°, adjustable 0–100%	Max. 95°, adjustable 0–100%
Torque at rated voltage	Min. 40 Nm	Min. 40 Nm
Direction of rotation	Switch selectable 0 ↺ or 1 ↻	Switch selectable 0 ↺ or 1 ↻
Position indication	Mechanical	Mechanical
Running time for 95°	150 s	150 s
Sound power level	Max. 45 dB (A)	Max. 45 dB (A)
Protection class	III Safety extra-low voltage	II Safety insulated
Protection type	IP 54	IP 54
Ambient temperature range	-30 to +50 °C	-30 to +50 °C
Ambient moisture	95 % RH	95 % RH



Technical data

For technical data go to [LindQST](https://www.lindab.com/LindQST).

